



**TRANSPORTATION CABINET**

Frankfort, Kentucky 40622  
www.transportation.ky.gov/

**Steven L. Beshear**  
Governor

**Michael W. Hancock, P.E.**  
Secretary

June 30, 2014

CALL NO. 100  
CONTRACT ID NO. 142915  
ADDENDUM # 1

Subject: Franklin County, IM 0643 (052)  
Letting July 11, 2014

(1) Revised - Bridge Drawings - Pages 31-45 of 100

Proposal revisions are available at <http://transportation.ky.gov/Construction-Procurement/>.

If you have any questions, please contact us at 502-564-3500.

Sincerely,

A handwritten signature in blue ink that reads "Diana Castle Radcliffe".

Diana Castle Radcliffe  
Director  
Division of Construction Procurement

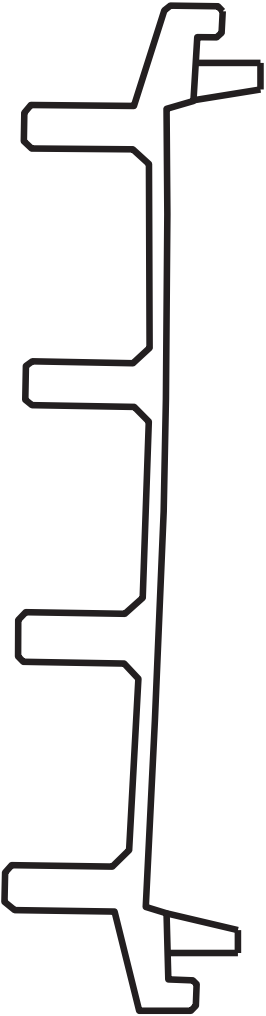
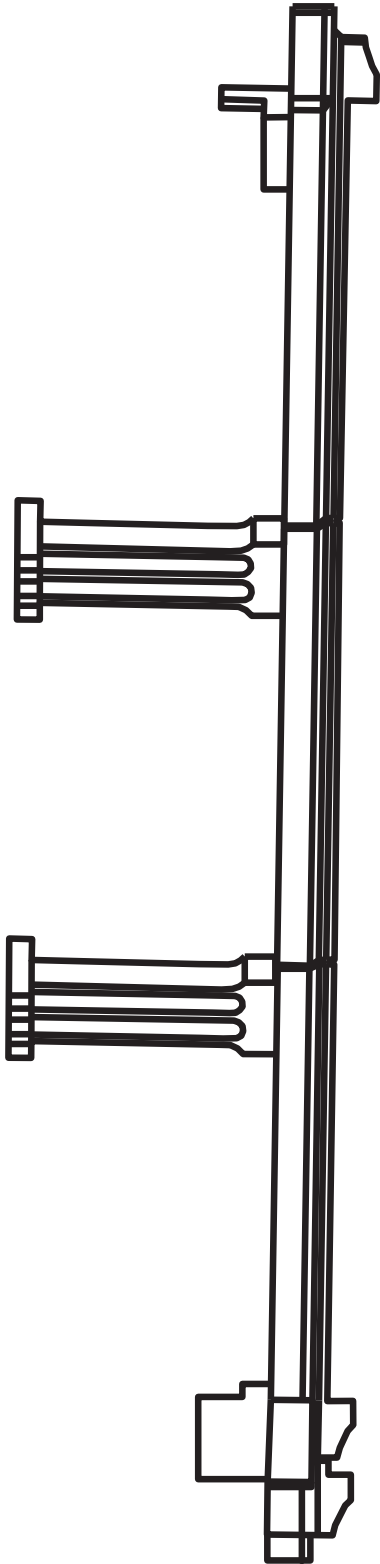
DR:ks  
Enclosures



An Equal Opportunity Employer M/F/D

TO LOUISVILLE  
↑

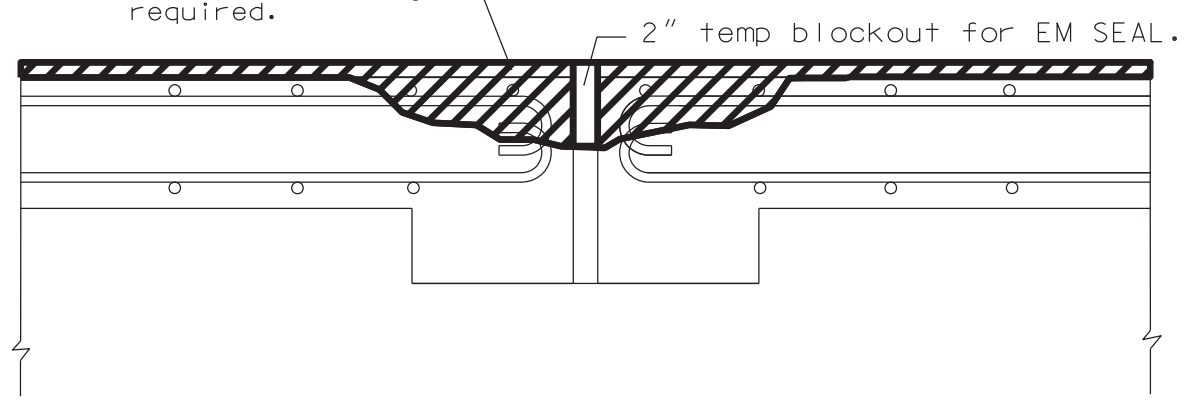
037B000057L,R  
(3) 50' SIMPLE RC DG SPANS  
159' TOTAL LENGTH - 14 DEGREE SKEW



30' CURB TO CURB

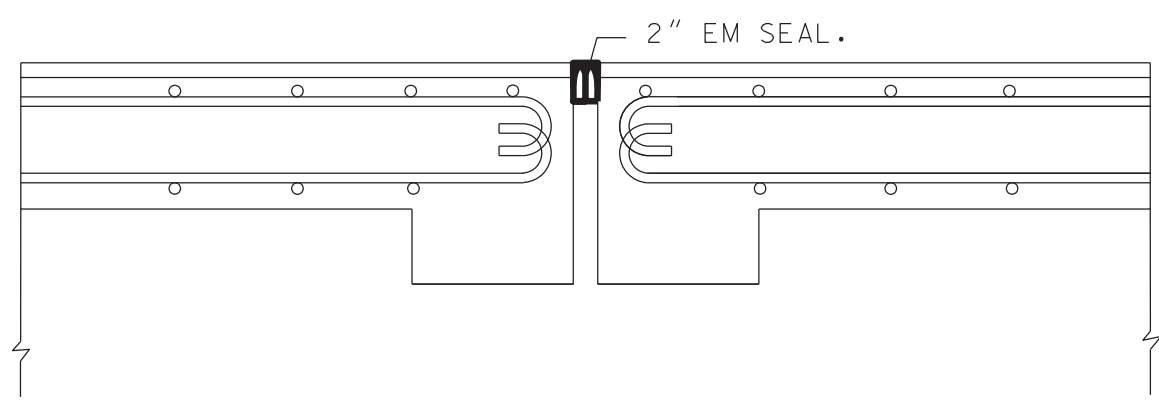
# JOINT REPLACEMENT DETAIL

Remove existing expansion device or seal. Deepen concrete removal for EM SEAL. No armored edges required.



NOTE: Do not disturb existing Steel Reinforcement

## EXISTING SECTION @ Transverse Joint

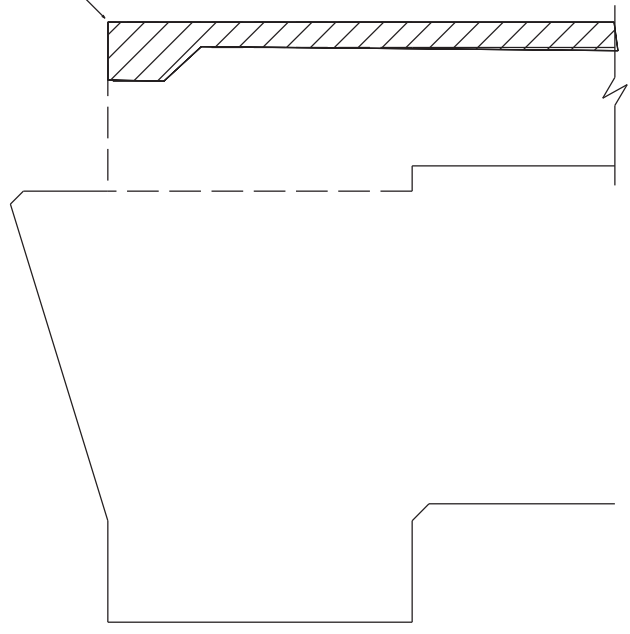


## PROPOSED SECTION @ Transverse Joint

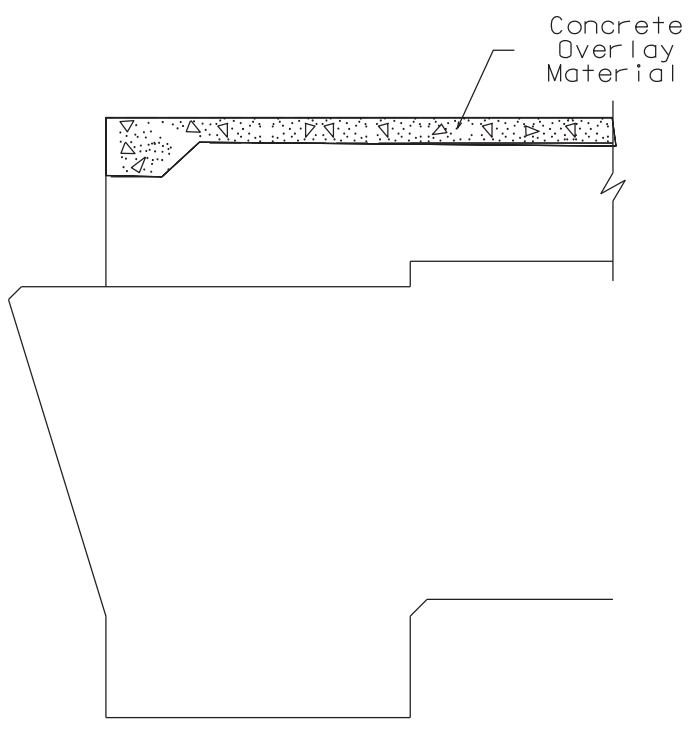
# BRIDGE END DETAIL

If no expansion device exists,  
deepen overlay to minimum  
of 3" at bridge end

Remove X-Hatched Areas of  
Concrete & Expansion Device  
and/or armored edge.



EXISTING SECTION



PROPOSED SECTION



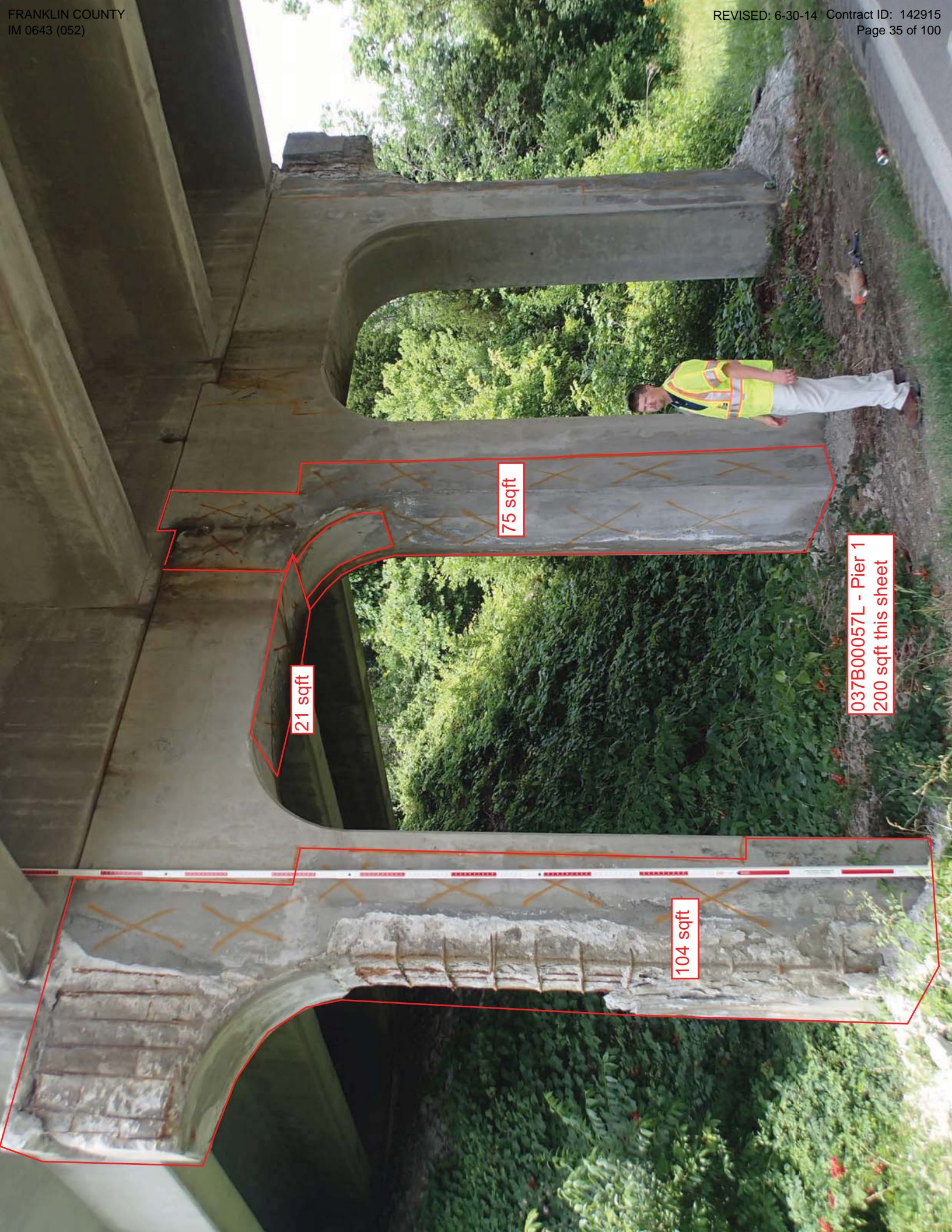
98 sqft

21 sqft

12 sqft

8 sqft

037B00057L - Pier 1  
139 sqft this sheet

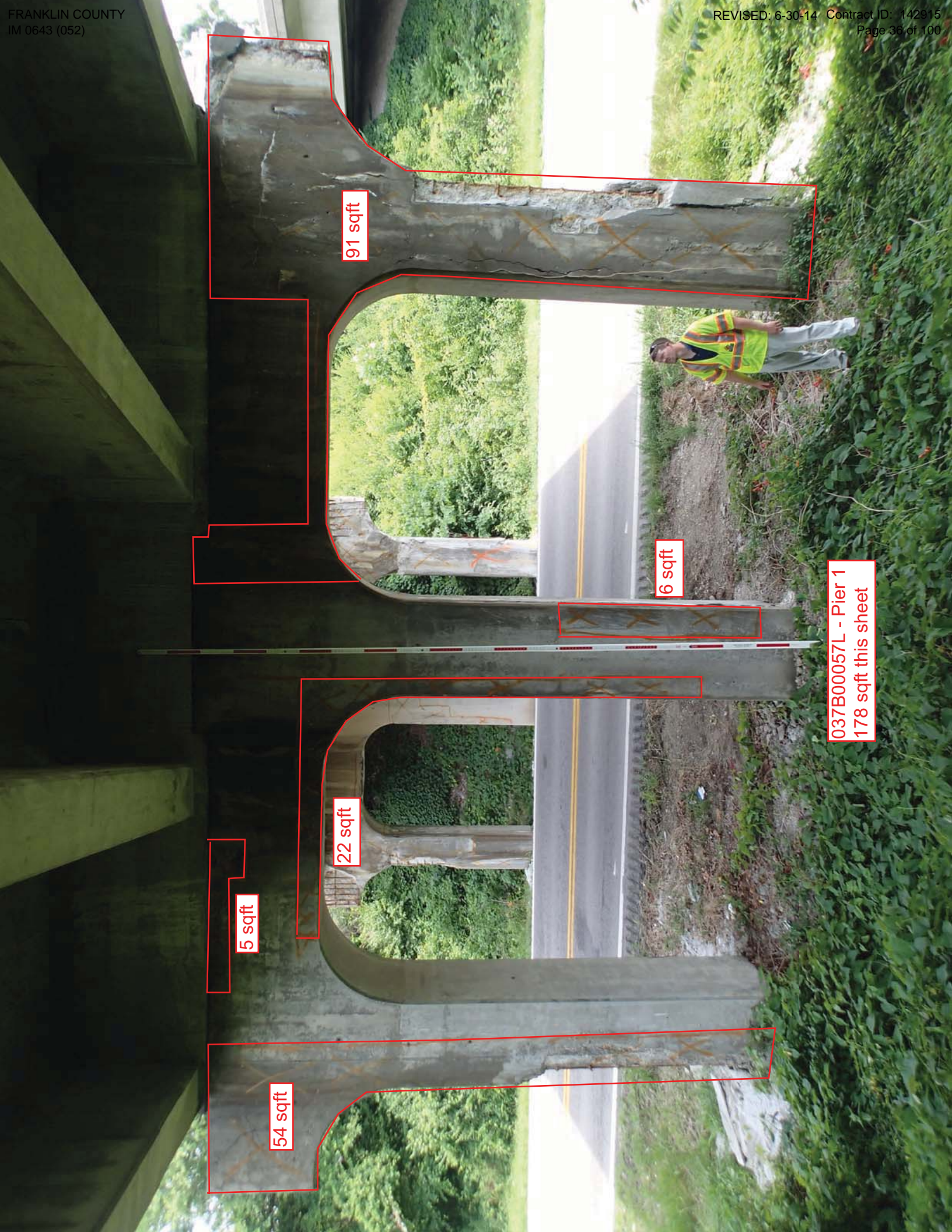


75 sqft

21 sqft

104 sqft

037B00057L - Pier 1  
200 sqft this sheet



91 sqft

6 sqft

037B00057L - Pier 1  
178 sqft this sheet

22 sqft

5 sqft

54 sqft



217 sqft

30 sqft

037B00057L - Pier 2  
247 sqft this sheet





39 sqft

36 sqft

163 sqft

037B00057L - Pier 2  
238 sqft this sheet



270 sqft

037B00057L - Pier 2  
270 sqft this sheet



45 sqft

52 sqft

037B00057R - Pier 1  
97 sqft this sheet



46 sqft

2 sqft

16 sqft

25 sqft

120 sqft

037B00057R - Pier 1  
209 sqft this sheet



74 sqft

037B00057R - Pier 1  
183 sqft this sheet

33 sqft

76 sqft



121 sqft

35 sqft

21 sqft

037B00057R - Pier 2  
272 sqft this sheet

55 sqft

2 sqft

20 sqft

18 sqft

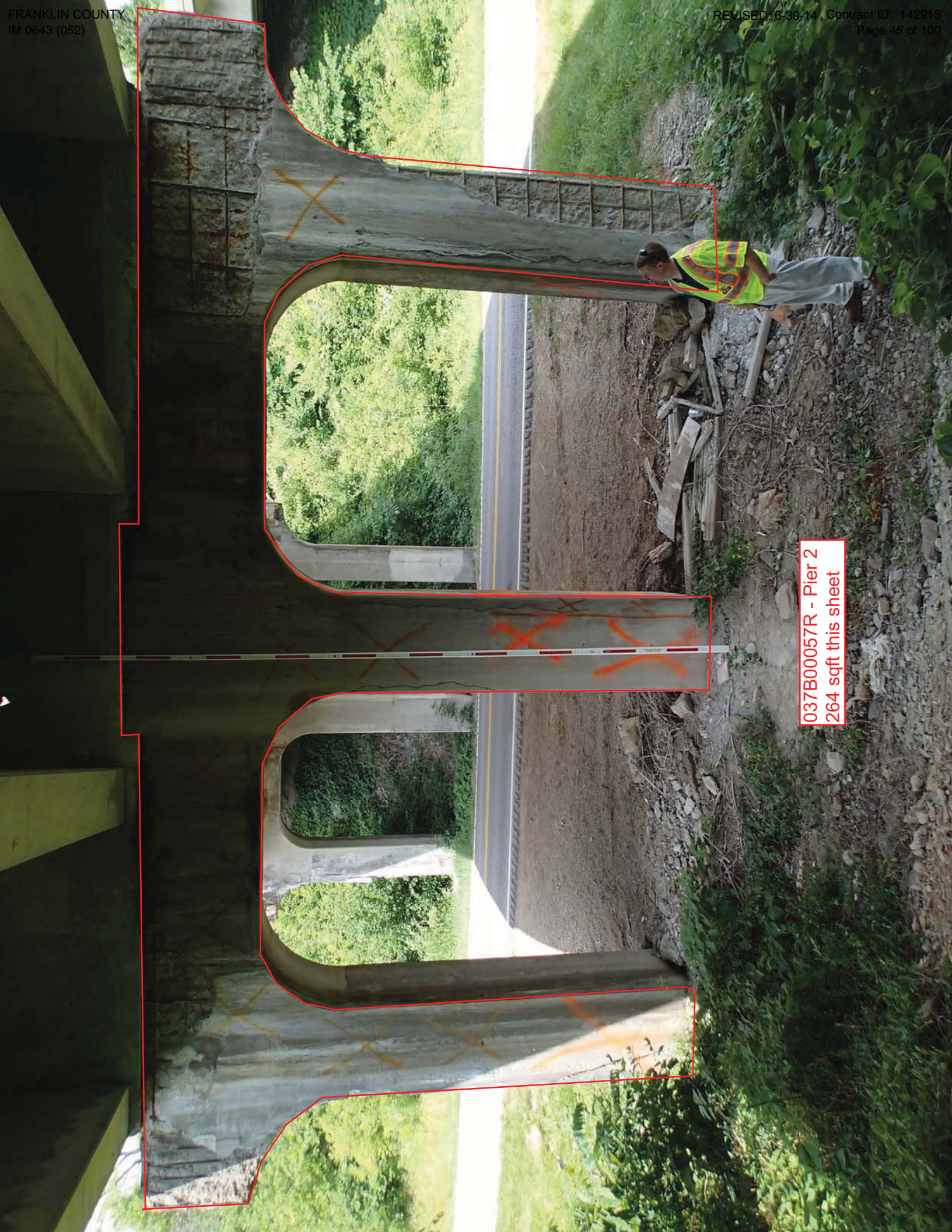


59 sqft

8 sqft

12 sqft

037B00057R - Pier 2  
79 sqft this sheet



037B00057R - Pier 2  
264 sqft this sheet